

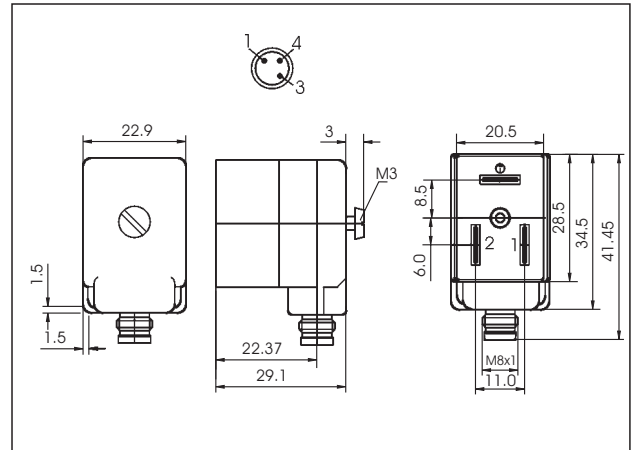
VALVE-CONNECTORS,IP67

View



- Valve connector according to DIN EN 175301-803
- Form B
- With LED function indicator, protection circuit with varistor, connected protective earth
- With M8(3pin) male receptacle connector

Dimensional data



Technical Data

Operating temperature : -25 °C / +80 °C
 Housing/Molded body : TPU, self-extinguishing
 M8 : CuZn, nickel-plated
 Degree of Protection : IP 67
 Contact : CuZn, nickel-plated and tin-plated
 M8: CuZn, pre-nickel and 0.8 microns
 gold-plated

Contact Resistance : $\leq 5m\Omega$
 Nominal current at 40 °C : 4A
 Nominal Voltage : 24V
 Rated Voltage : 32V
 Pollution degree : 3

Catalog Number

Part-No	Poles	Face View of Female	Circuit Protection
V-MANDVY02x + M8-3	2+ 		

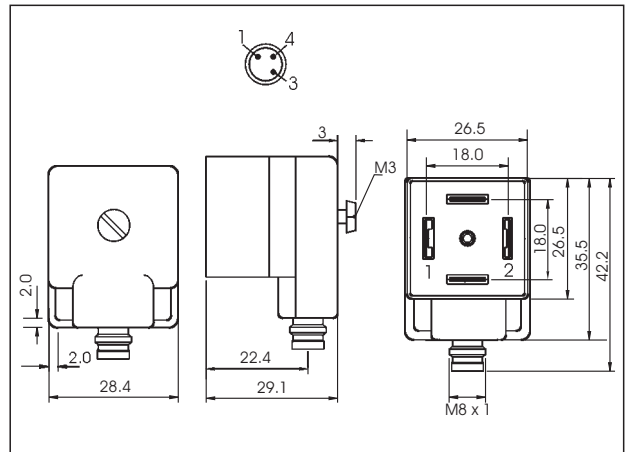
VALVE-CONNECTORS,IP67

View



- Valve connector according to DIN EN 175301-803
- Form A
- With LED function indicator, protection circuit with varistor, connected protective earth
- With M8(3pin) male receptacle connector

Dimensional data



Technical Data

Operating temperature : -25 °C /+80 °C

Housing/Molded body : TPU, self-extinguishing
M8 : CuZn, nickel-plated

Degree of Protection : IP 67

Contact : CuZn, nickel-plated and tin-plated
M8: CuZn, pre-nickeled and 0.8 microns gold-plated

Contact Resistance : $\leq 5m\Omega$

Nominal current at 40 °C : 4A

Nominal Voltage : 24V

Rated Voltage : 32V

Pollution degree : 3

Catalog Number

Part-No	Poles	Face View of Female	Circuit Protection
V-MANAVY02x+M8-3	2+ ⊕ ⊖		

"L"=Standard length:2.0m,3.0m,5.0m,10.0m. other cable length or cable specifications on request.